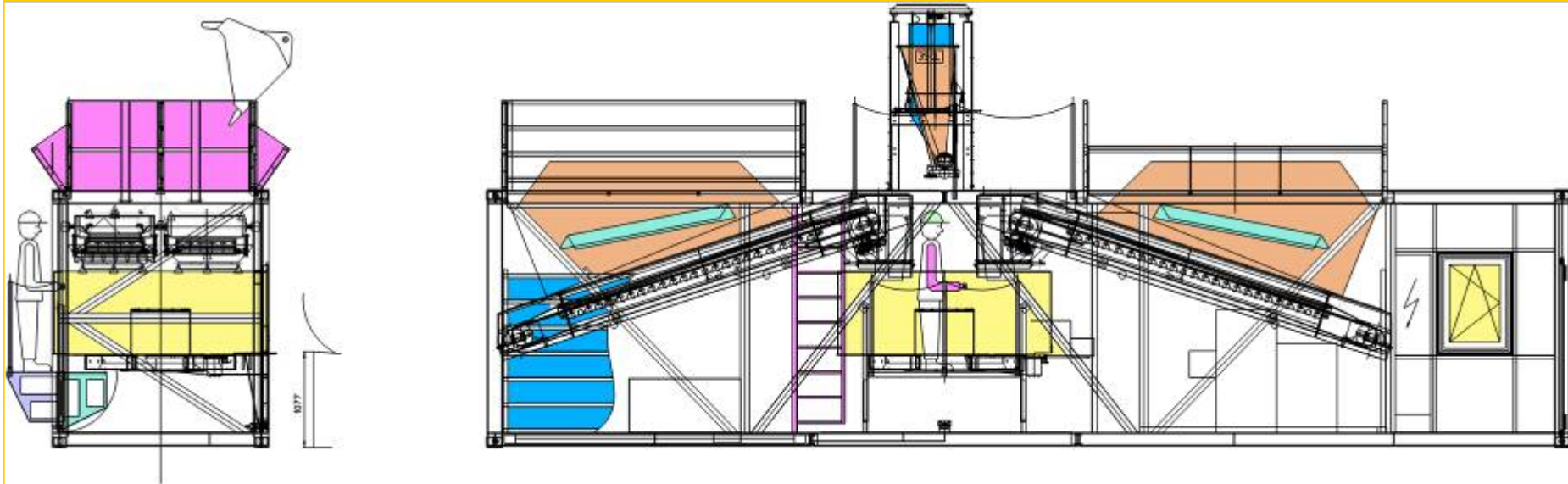
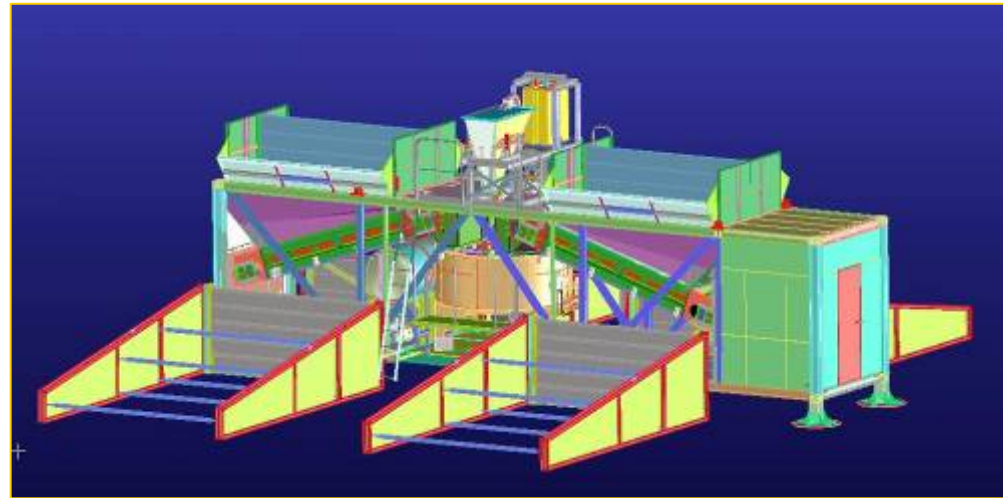

EASYMIX 1.0

Super-Mobile Mixing Plant

LIEBHERR

Technical Data

- ⇒ 40' High cube container
- ⇒ R 1.0 bzw RIM 1.0 M on 3 load cells
- ⇒ 2 - 4 aggregate bins with 24 yd³ (18 m³) total volume
- ⇒ 4 belts 0.96 m/s GB 800 2x 3kW 80 kg/s capacity
- ⇒ Water and cement weigher



LIEBHERR

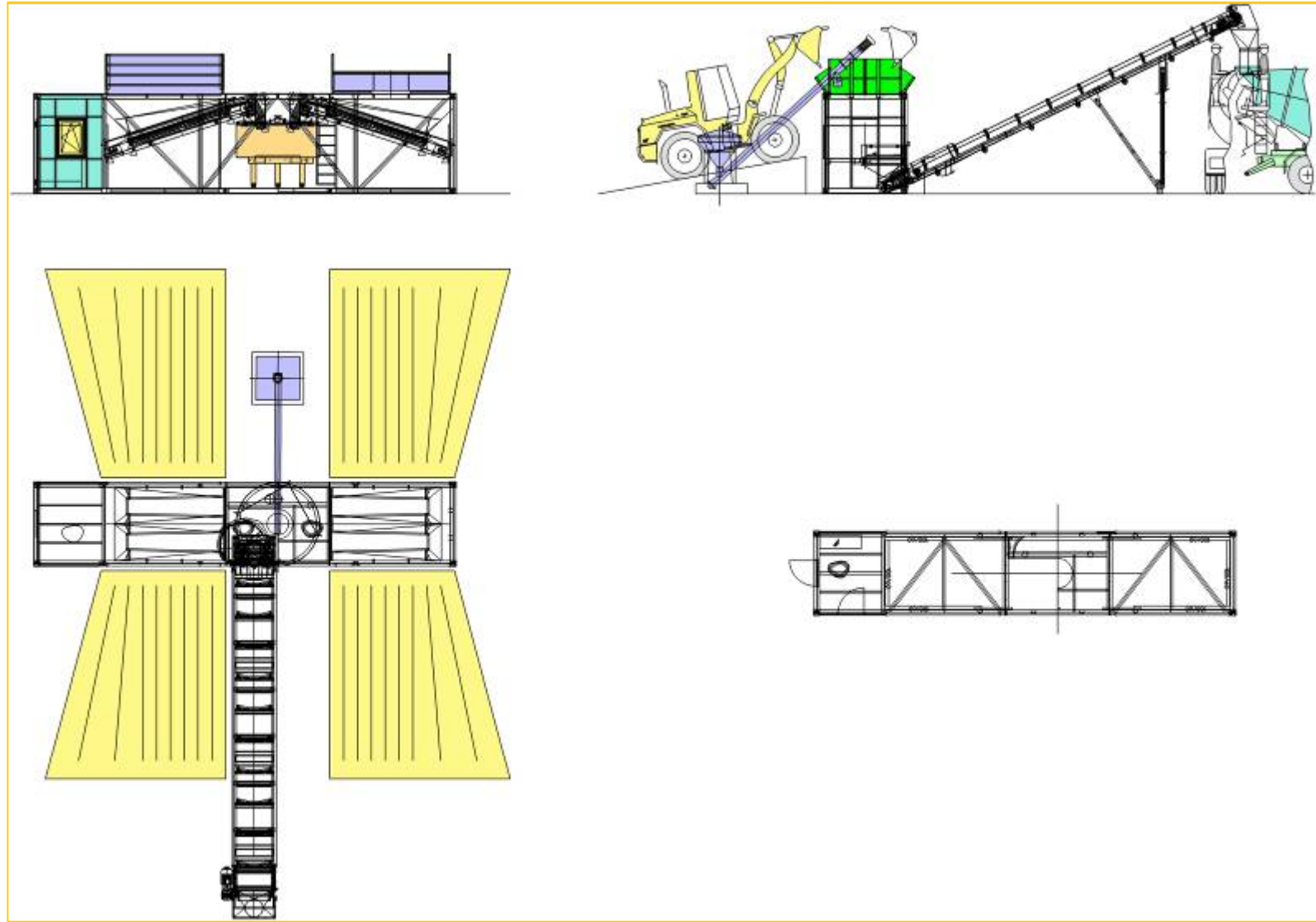
Technical specification

- ✓ **Concrete output rate : approx. 45-52y³/hr (35-45 m³/hr)**
- ✓ **Dimension : 40' x 9'-6" x 8' (12.2 x 2.9 x 2.44m)**
- ✓ **Aggregate type : 1 - 4 type**
- ✓ **Aggregate hopper: 24y³ (18m³)**
- ✓ **Internal water tank (optional) : 400 gal. (1500 liter)**
- ✓ **Power 460V/60Hz/90KVA**
- ✓ **Total weight approx. 17 ton**

Max. Output

Output	Aggr. Weigher	Cement	Water
52 yd/h 40 m³/h	3 aggregates, sand is batched with 2 belts	weigher	weigher
47 yd/h 36 m³/h	4 aggregate, sand is batched with 1 belt	weigher	weigher

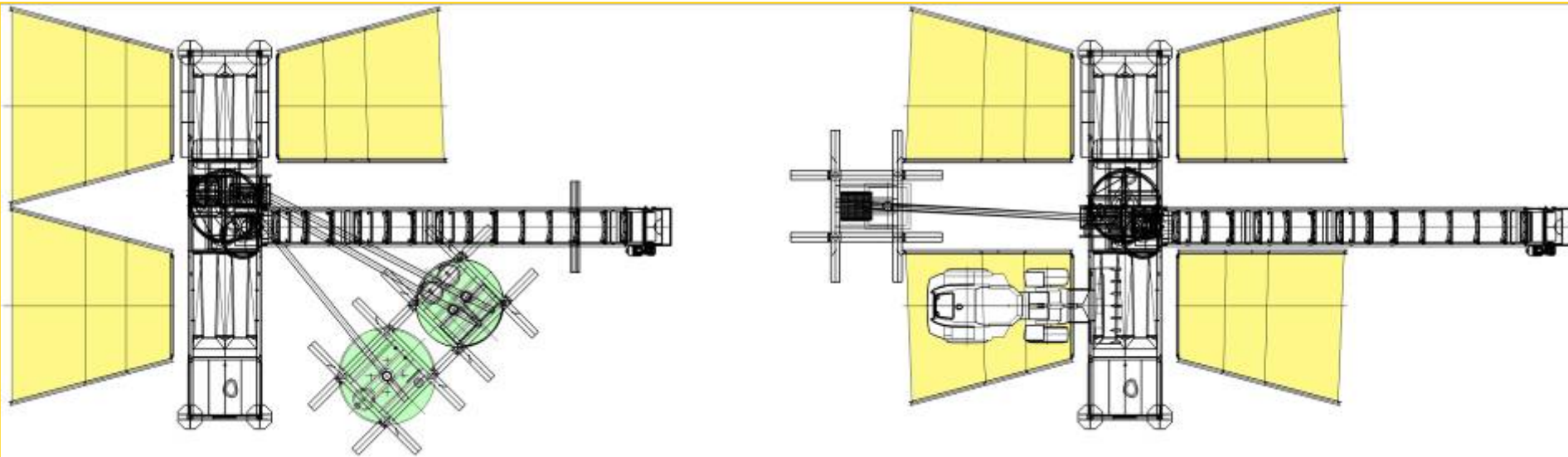
Design & Concept



Design & Concept

Installations possibilities

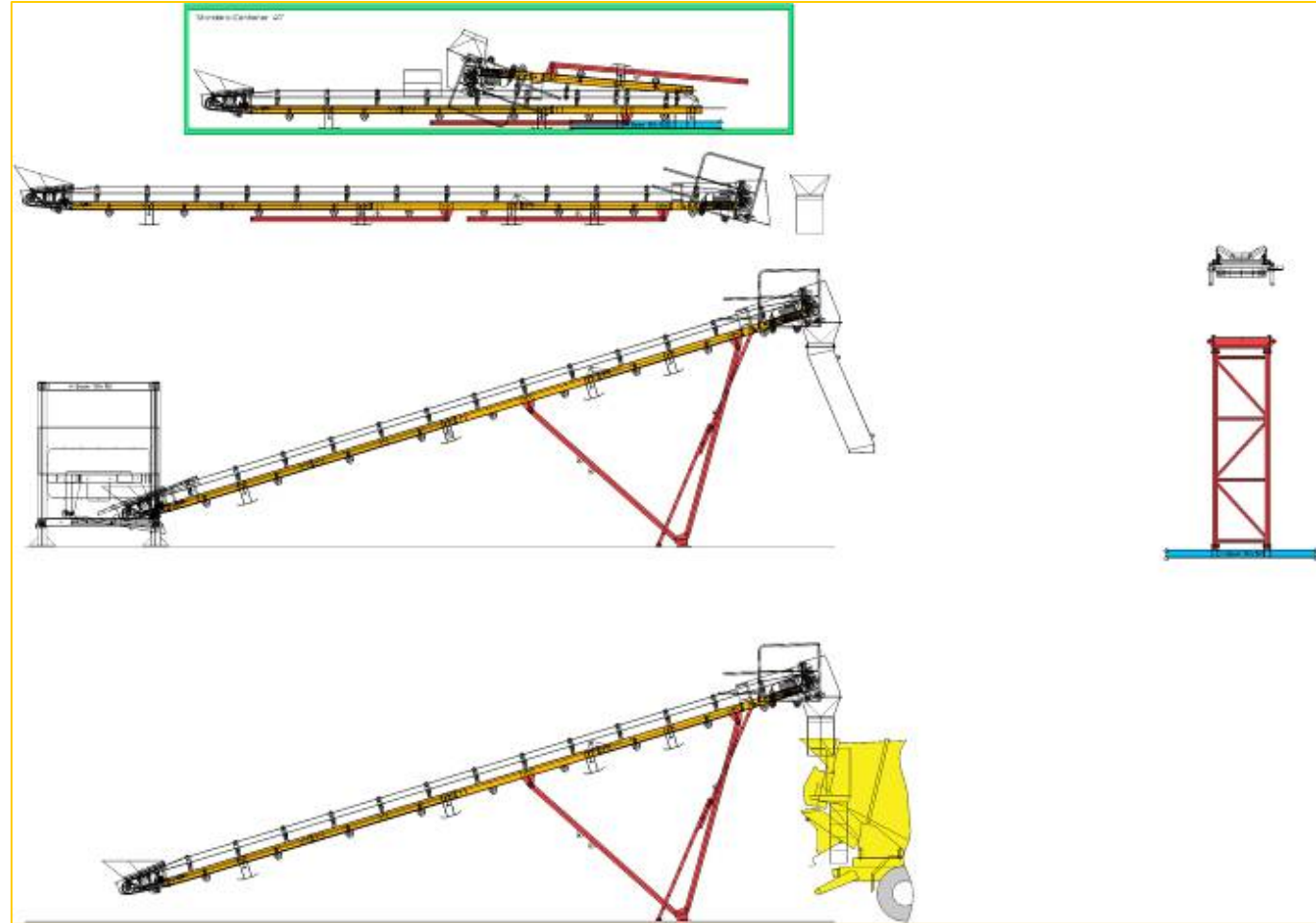
⇒ 3 or 4 aggregates



Design & Concept

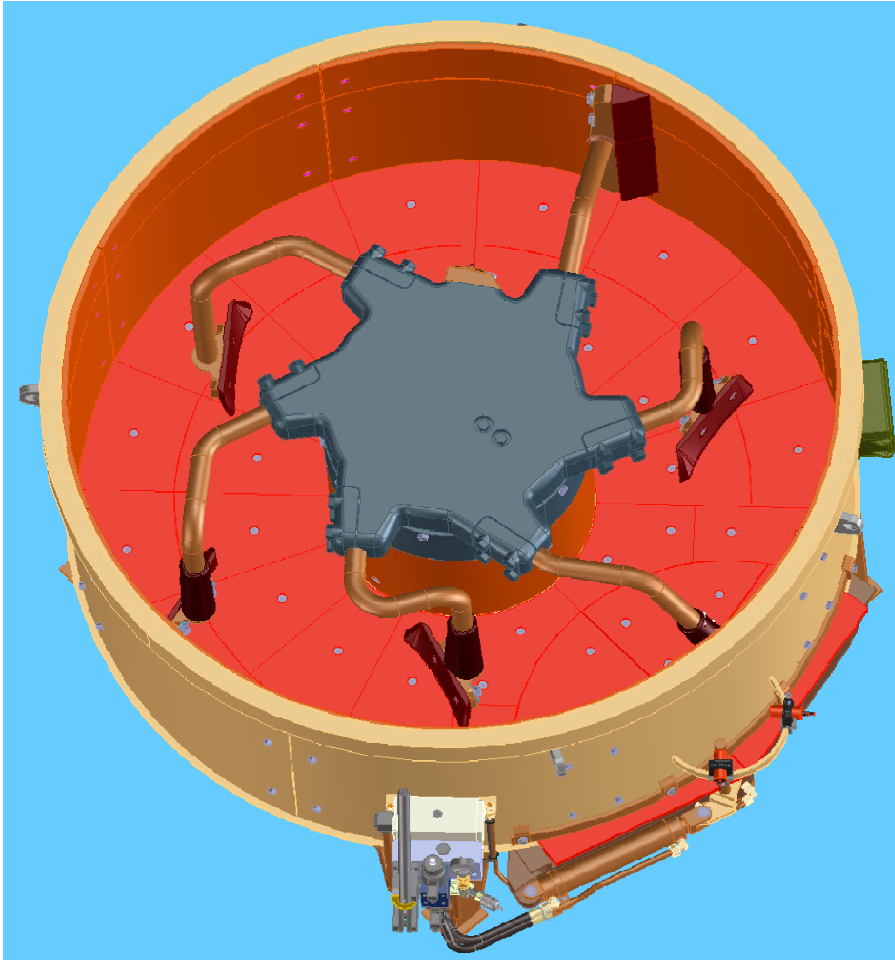
Concrete belt

- ⇒ length
A-A: 46' (14.2m)
 - ⇒ GB = 31 1/2" (0.8m)
max. inclination 17°
 - ⇒ Drive:
P = 15 HP (11 kW)
 - ⇒ v = 7 ft/s (2.09 m/s)
 - ⇒ capacity
330 yd/h (250 m³/h)
 - ⇒ 2 discharge heights
- truckmixer
or
crane bucket

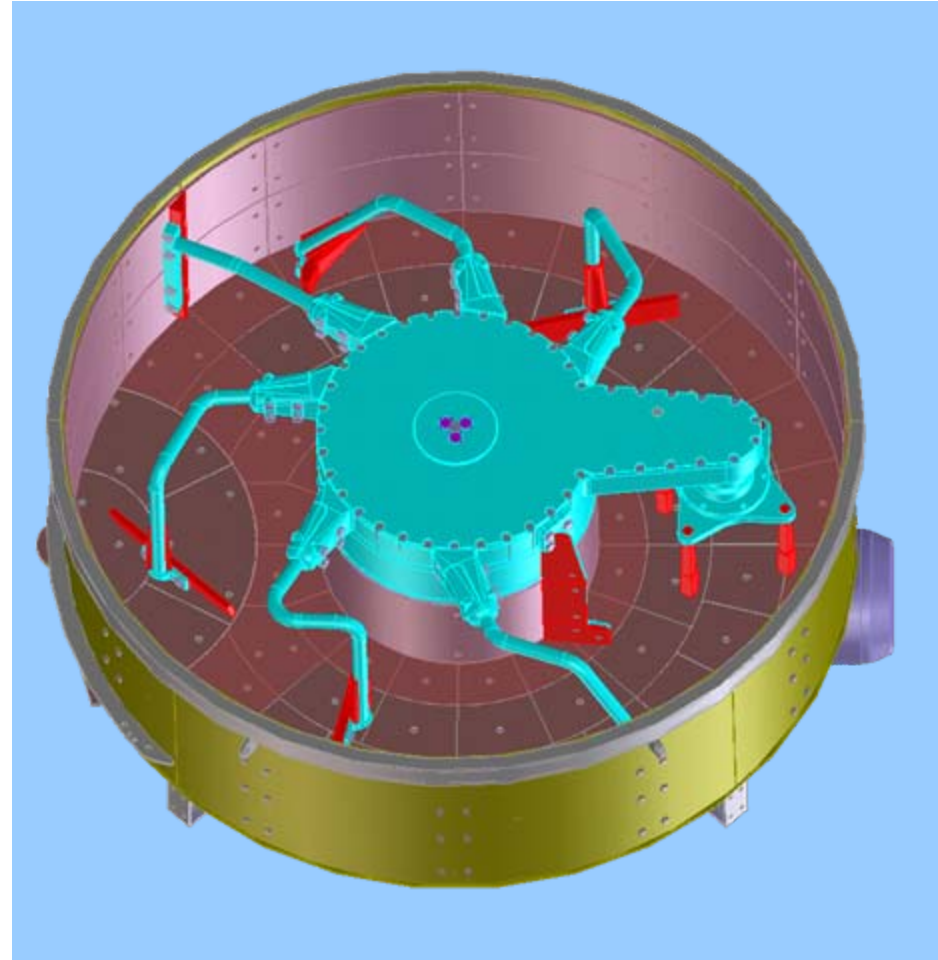


Ring Pan Mixer

Type R



Type RIM-M (optional)



Control unit

Specification

- 460V/60Hz/90KVA
- IP 41
- Made of Galvanized Sheet T=2mm.
- Size:1200(W)x1800(H)x400(D) mm.
- Color : Cream
- Controller : Litronic BCS II
(Touch-screen)
- Fully automatic control
- Manual operate :
Mimic diagram (front panel)



Design & Concept



Design & Concept



Design & Concept



LIEBHERR

Design & Concept



Design & Concept



Design & Concept

